

viccarbe

Trivio

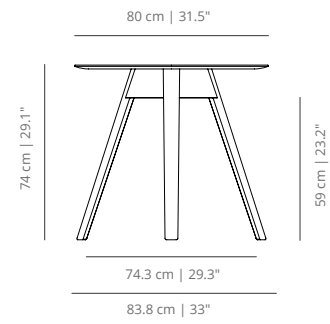
Designed by Jasper Morrison

Technical Info - EN

V01

TRIVIO

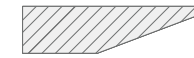
Table 80Ø



TABLETOPS MATERIALS

MDF - STAINED & LACQUERED

The 30 mm thick cover or work surface is made with microtextured MDF. It is lacquered with one of our collection's finishes. It also comes with a solid oak veneer, stained in mate, cognac or ash.



30 mm 1 1.18"



bleached stained oak matt stained oak cognac stained oak walnut stained oak ash stained oak white (open pore) stained oak



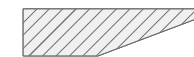
white RAL 9003 black RAL 9005 taupe RAL 1019 ochre RAL 1011 brick RAL 0505030



olive green RAL 0904030 dusty green RAL 7034 dusty pink RAL 0607020

HPL WITH MDF

High pressure HPL laminate in black or white on a 30 mm thick MDF board with stained edges in transparent.



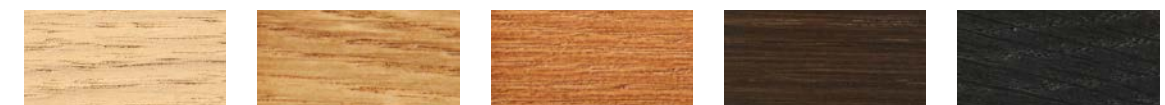
30 mm 1 1.18"



black | soft touch by FENIX® white | soft touch by FENIX® cocoa | soft touch by FENIX®* laurel | soft touch by FENIX®*

LEGS

The legs are made of solid European oak, stained in the finishes of the collection.



bleached stained oak matt stained oak cognac stained oak walnut stained oak ash stained oak

*In HPL boards with MDF, the cocoa and laurel colors correspond to FENIX® references 0749 and 0717.

CONNECTOR

The join piece is made of steel, powder coated in thermoreinforced polyester in the finishes of the collection.



white
RAL 9003



black
RAL 9005

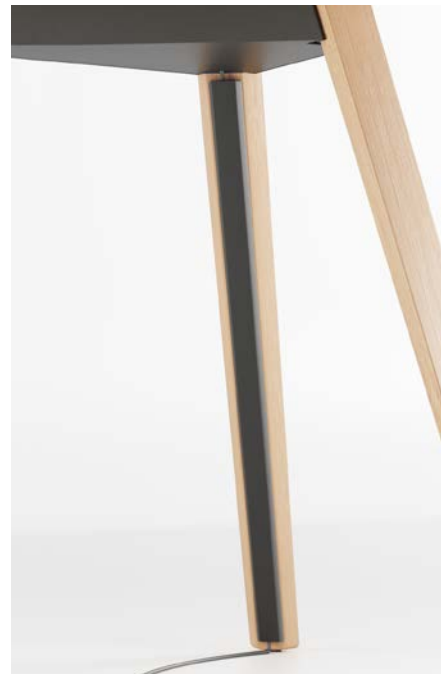


taupe
RAL 1019



orange fluorescent
RAL 2005

ACCESSORIES & ELECTRIFICATIONS



Wire holder. Wire holder made of steel sheet, powder coated in thermoreinforced polyester. Mounting on the leg by manual adjustment without the need for tools. The fastening screws are included and installed.



Battery charging tray. Charges up to 4 stations simultaneously in 7 hours. Includes magnetic key to remove the station from its support.



USB hub with battery. USB hub with two USB device charging ports without being plugged into electric current. It's needed to buy the battery charging tray to charge the USB hub battery.



Center of the table built-in SCHUKO/USB powerbox. Built-in Schuko socket powerbox in the middle of the table for device charging.

Let's talk

We want to help you find the best designs for your project. Get in touch and our team will get back to you as soon as possible.

+ CONTACT US



