



Maarten Plastic Stool

BY VÍCTOR CARRASCO

Maarten Plastic Stool

BY VÍCTOR CARRASCO

Technical Info EN

2012



Maarten Plastic symbolizes Viccarbe's venture into polypropylene: a particularly durable material that is more adaptable to the user's movement.

This new version of the stool maintains the rhomboid-shaped seat that is characteristic of the Maarten family, seen in the collection since 2012. Added features include a wide range of bases (four legs, sled, swivel, pyramid, wheeled...), and the option to be stacked for some of these, an excellent added value for shared spaces.

Víctor Carrasco

Born in Valencia (Spain) in 1974, Víctor Carrasco began his professional career after graduating Cum Laude in Industrial Design Engineering at the Polytechnic University of Valencia.

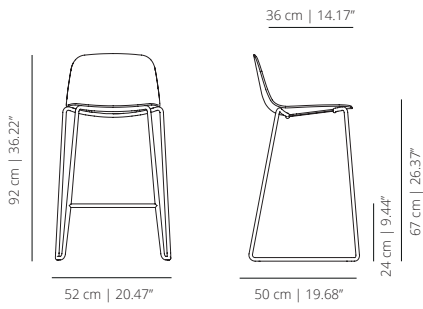
Shying away from trends and fads, he has developed and positioned international brands with remarkable added value, thanks to his passion for synthesis, sustainable growth and his pragmatic vision of the future.

Since 2007, he has been combining his position as strategic director of Viccarbe with that of Director Business Development for the prestigious American multinational Coalesse (Steelcase Inc.). Likewise, as an industrial designer, he has collaborated with numerous international companies.

He was the recipient of the Prince Felipe Award for Business Excellence and he has also won the German Design Award.

SLED COUNTER STOOL - LOW SEAT

MAAPLTPTCOB
plastic



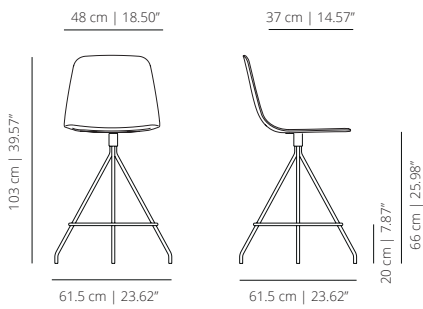
SWIVEL COUNTER STOOL - LOW SEAT

MAAPLCOB
plastic

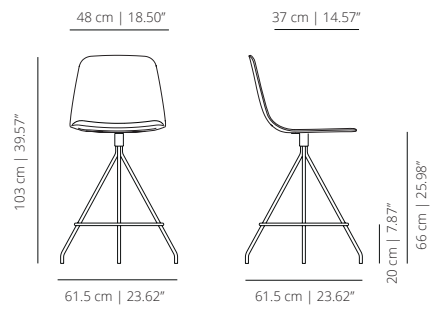


SWIVEL COUNTER STOOL

MAAPLCO
plastic

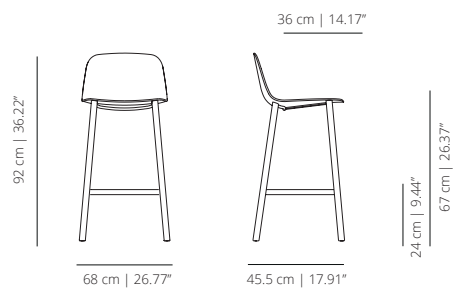


MAAPLCOC
plastic with cushion



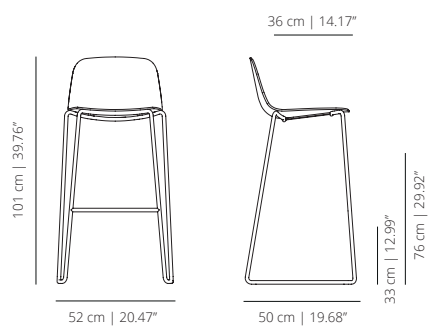
FOUR WOODEN LEGS COUNTER STOOL - LOW SEAT

MAAPLT4MCOB
plastic



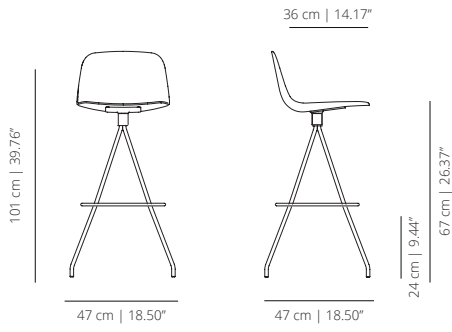
SLED BAR STOOL - LOW SEAT

MAAPLTPTBARB
plastic



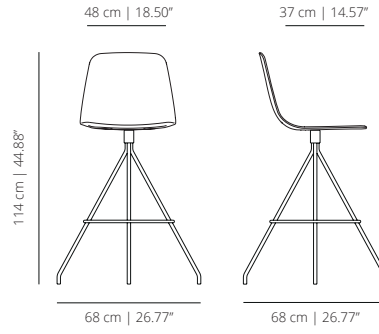
SWIVEL BAR STOOL - LOW SEAT

MAAPLBARB
plastic



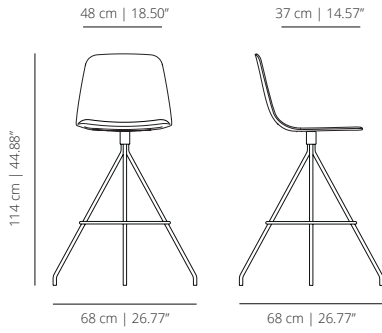
SWIVEL BAR STOOL

MAAPLBAR
plastic



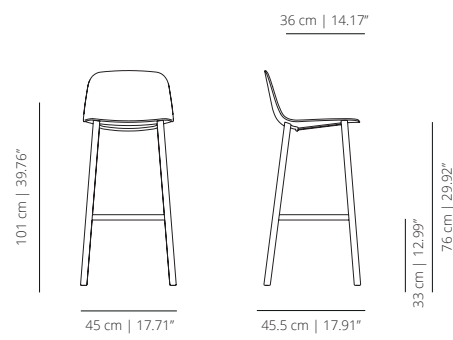
SWIVEL BAR STOOL

MAAPLBAR
plastic with cushion



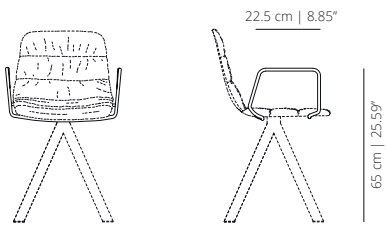
FOUR WOODEN LEGS BAR STOOL - LOW SEAT

MAAPLT4MBARB
plastic

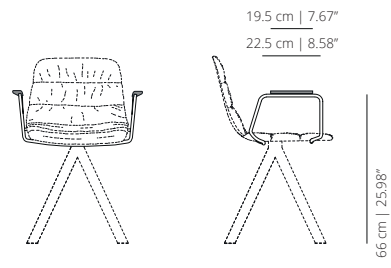


ACCESSORIES

MAB
arms



MAABRM
wooden arms



FINISHES

STRUCTURE | ARMS

Powder coated



white
RAL 9003



black
RAL 9005



altea blue
RAL 5000



taupe
RAL 1019



orange
RAL 2005

POLYPROPYLENE

Seat



white
RAL 9003



black
RAL 9005



yellow ochre
RAL 1011



dusty green
RAL 7034



brick
RAL 050 50 30



taupe
RAL 1019

TECHNICAL INFO

Plastic – Injected polypropylene seat in white, black, sand, dusty green, yellow ochre or brick.

Plastic with cushion – Injected polypropylene seat in white, black, sand, dusty green, yellow ochre or brick with upholstered cushion in the finishes of our collection.

Base options:

Sled base counter/bar stool – Calibrated steel structure powder coated in thermoreinforced polyester in white or black and footrest in the same colour. Plastic glides in black or white.

Swivel base counter/bar stool – Calibrated steel swivel structure powder coated in thermoreinforced polyester in white or black and footrest in the same colour. Plastic glides in black or white with or without felt.

Four wooden legs counter/bar stool – Four solid oak wood legs stained with the finishes of our collection and footrest in calibrated steel powder coated in thermoreinforced polyester in black in black. Plastic glides in black or white with or without felt.

CERTIFICATIONS

UNE EN 16139:13 vc 2015 (swivel counter stool and swivel bar stool)



viccarbe